

VORTICE VENTILATION

INDUSTRIAL VENTILATION

165

VORTICEL A-E RANGE

167

ACCESSORIES





VORTICEL A-E RANGE

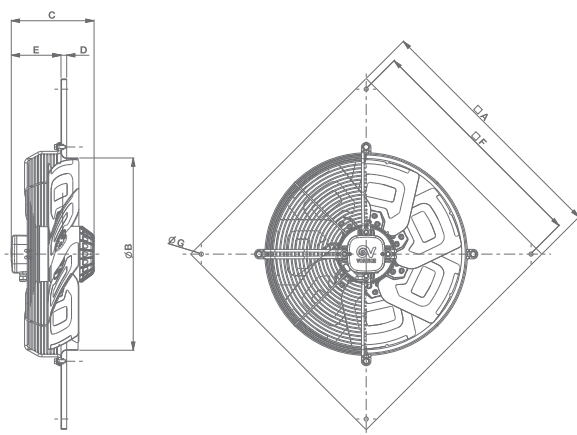
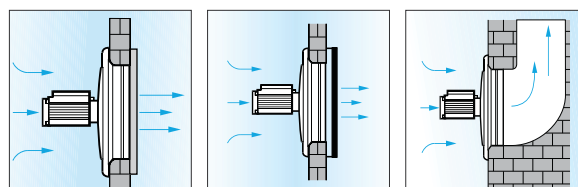
Compact plate axial fans

Suitable for commercial and industrial applications environments as warehouses, hospitals, nightclubs, offices, theatres, factories, gyms, restaurants, and much more.

TECHNICAL SPECIFICATIONS

Suitable for commercial and industrial applications environments as warehouses, hospitals, nightclubs, offices, theatres, factories, gyms, restaurants, etc...

- 19 models: 9 single-phase and 10 three-phase.
- Phosphated sheet steel panels, painted with epoxy powder, in grey colour hammered finishing, resistant to atmospheric agents.
- Thermo-protected AC motor class F with external rotor, one speed, equipped with ball bearings.
- High aeraulic performance impellers equipped with electro-galvanised sheet steel blades, painted with polyester paint, in black.
- Low noise levels.
- Support protection grilles acting as an anti-bird guards, made of electro-welded steel rings black epoxy painted, easy to remove for maintenance.
- Wide range of continuous operation temperatures between -30°C and +50°C.
- Electric supply 230 V / 50 Hz for single phase models, 400 V / 50 Hz for three phase models.
- Protection motor: IP54.
- Insulation class: I. ⚡
- **Complying with the requirements of Regulation N° 327/2011/UE (Lot 11, 1st Tier) set out by the EUP/ErP Directive, effective starting from 01.01.2013.**



Models	A	Ø B	C	D	E	F	Ø G	Kg
A-E 252 M	320	264	149	10	82	280	8	2.1
A-E 254 M								2.5
A-E 254 T								3.0
A-E 304 M	380	316	151		84	330		3.4
A-E 304 T								4.0
A-E 354 M	450	359	155		15	43		380
A-E 354 T				6.3				
A-E 404 M	510	406	200	75		430	12	6.3
A-E 404 T			207					6.3
A-E 454 M			200					6.5
A-E 454 T	630	455	207	72		530		11
A-E 504 M			218		11.1			
A-E 504 T			507		198			
A-E 506 M					218		11.1	
A-E 506 T	198	67	675	14.8				
A-E 564 T	725	563	218	67	750	11	15.8	
A-E 566 M							67	15.8
A-E 566 T	805	638	218	68	750	11	15.8	
A-E 636 T							67	15.8

Dimensions (mm)



VORTICEL A-E RANGE

Compact plate axial fans

Suitable for commercial and industrial applications environments as warehouses, hospitals, nightclubs, offices, theatres, factories, gyms, restaurants, and much more.

	Models	Code	W	A	Poles	RPM	Max Airflow		Max Pressure		Lw dB(A)	Lp dB(A) @1m & 3m*	Max °C
							m ³ /h	l/s	mmH ₂ O	Pa			
Single-phase	A-E 252 M	42207	95	0.41	2	2500	1365	379	18	177	73.5	62.5 - 53.0	50
	A-E 254 M	42208	38	0.17	4	1400	764	212	6.0	61	59.0	48.0 - 38.5	
	A-E 304 M	42216	81	0.35		1400	1563	434	13.0	130	63.5	52.5 - 43.0	
	A-E 354 M	42258	182	0.82		1400	3015	837	14.5	145	68.5	57.5 - 48.0	
	A-E 404 M	42260	261	1.20		1375	4063	1128	13.6	134	74.5	63.5 - 54.0	
	A-E 454 M	42307	302	1.35		1350	5168	1435	8.3	81	80.5	60.0 - 69.5	
	A-E 504 M	42316	482	2.12		1400	6639	1844	19.0	186	79.5	68.5 - 59.0	
	A-E 506 M	42337	285	1.32		6	1000	4977	1382	13.8	135	72.5	
A-E 566 M	42356	345	1.51	1000	6505		1806	12.5	123	75.4	64.4 - 54.9		
Three-phase	A-E 254 T	42357	50	0.22	4	1400	785	218	13.5	134	59.5	48.5 - 39.0	50
	A-E 304 T	42227	79	0.22		1400	1696	471	13.0	129	66.5	55.5 - 46.0	
	A-E 354 T	42259	173	0.38		1400	3071	853	13.2	129	68.5	57.5 - 48.0	
	A-E 404 T	42261	318	0.65		1400	3832	1064	25.0	246	73.5	53.0 - 62.5	
	A-E 454 T	42308	370	0.73		1350	5187	1440	15.8	155	78.5	67.5 - 58.0	
	A-E 504 T	42327	485	1.12		1400	6966	1935	13.1	128	81.0	70.0 - 60.5	
	A-E 506 T	42346	264	0.80	6	973	4844	1345	13.3	131	70.0	59.0 - 49.5	50
	A-E 564 T	42336	925	1.71	4	1400	9255	2570	29.0	285	75.4	64.4 - 54.9	40
	A-E 566 T	42366	546	1.09	6	936	7309	2030	17.3	170	71.5	60.5 - 51.0	50
	A-E 636 T	42347	522	1.10		1000	9502	2639	15.7	154	78.5	67.5 - 58.0	

* Sound pressure level measured at 1-3 m in free field conditions with long-cased appliance in delivery mode, in accordance with standard EN ISO 3741:2009.



Plate Axial Fan Accessories

Speed Controllers

CODE	SPEED CONTROLLERS	BOX QTY
MSC 3	3 AMP VARIABLE SPEED CONTROLLER 1ph	1
MSC 5	5 AMP VARIABLE SPEED CONTROLLER 1ph	1



Gravity Grilles

CODE	GRAVITY GRILLES	BOX QTY
50150	10" LOUVRED GRAVITY GRILLE (250mm)	1
50250	12" LOUVRED GRAVITY GRILLE (300mm)	1
50350	14" LOUVRED GRAVITY GRILLE (350mm)	1
50450	16" LOUVRED GRAVITY GRILLE (450mm)	1
50550	20" LOUVRED GRAVITY GRILLE (550mm)	1



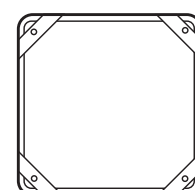
Fixed Grilles

CODE	FIXED GRILLES	BOX QTY
51150	10" FIXED GRILLE (250mm)	1
51250	12" FIXED GRILLE (300mm)	1
51350	14" FIXED GRILLE (350mm)	1
51450	16" FIXED GRILLE (450mm)	1
51550	20" FIXED GRILLE (550mm)	1



Plate Axial Fan Accessories

CODE	SPACER	BOX QTY
52151 ▲	DPU250 Spacer for 42252	
52251 ▲	DPU300 Spacer for 42202	
52451 ▲	DPU400 Spacer for 42224	



▲ : NON STOCK PRODUCTS SPECIAL ORDER REQUIRED