



# Punto Standard Fans

Wall or ceiling mounted fans for intermittent or continuous ventilation of bathrooms, toilets, kitchens or utility rooms. Splash proof IPX4. Can be ducted 4m.

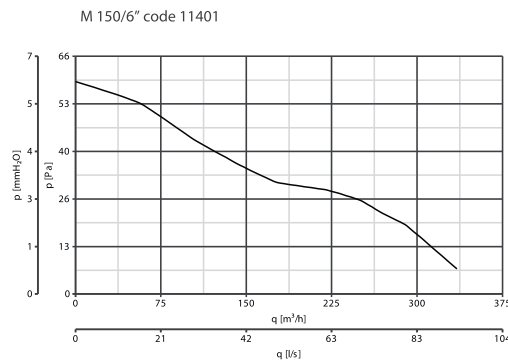
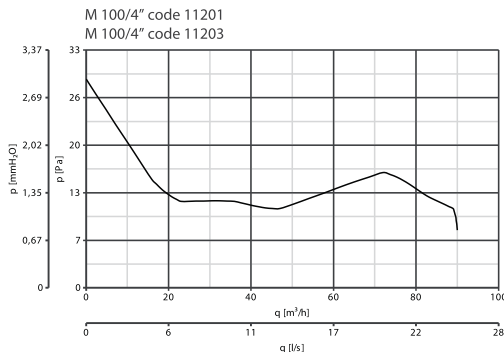
## TECHNICAL SPECIFICATIONS

- Available in 2 diameters, 100mm and 150mm
- 20 models available with or without the option of automatic shutters, timer, pull cord, 12V, humidistat and PIR.
- Wall or ceiling mounted
- Can be ducted up to 4m
- The standard models can be speed regulated.
- Window kit available as an accessory
- Ceiling Gasket available as an accessory
- Splash proof IPX4 protection on all models.
- IMQ data label ensures data and performance is third party certified.
- Conforms to international standards: CEI EN 60335-2-80, CEI EN 60529 (code IP) and CEI 107-53/1986.



Design: F. Trabucco & Associati

## Pressure/Performance Curves



**11201, 11211, 11641, 11221, 11231**  
**11203, 11223, 11681, 11603, 11613**

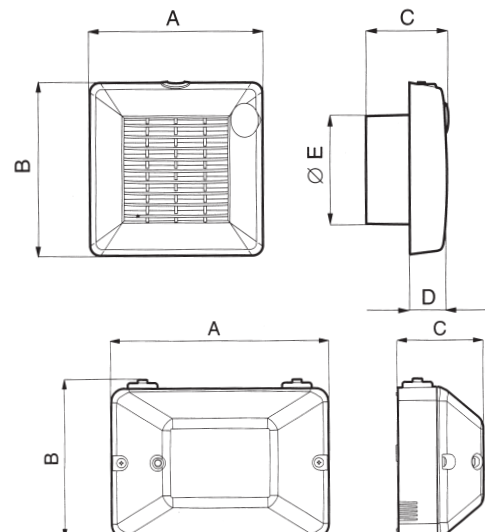
**11401, 11411, 11851, 11421, 11431**  
**11881, 11854**

## Dimensions (mm)

	A	B	C	D	E
<b>100/4"</b>	159	160	100	47	99
<b>150/6"</b>	214	215	117	47	156

## Power Supply

	A	B	C
<b>GA 12V</b>	161	117	65





# Punto Standard Fans

Wall or ceiling mounted fans for intermittent or continuous ventilation of bathrooms, toilets, kitchens or utility rooms. Splash proof IPX4. Can be ducted 4m.

## Punto Range **STANDARD**

For intermittent or continuous ventilation of bathrooms, toilets, kitchens or utility rooms in domestic or commercial properties.

### Standard 100mm

CODE	PUNTO RANGE 100mm(4") 90m <sup>3</sup> /h (25 L/S) WALL, WINDOW, CEILING MOUNTED IPX4	BOX QTY
11201	100mm PUNTO FAN	12
11211	100mm PUNTO FAN c/w TIMER <b>TIMER</b>	6
11641	100mm PUNTO FAN c/w PULLCORD <b>PULLCORD</b>	4
11221	100mm PUNTO FAN AUTO	6
11231	100mm PUNTO FAN AUTO c/w TIMER <b>TIMER</b>	4



11211.

### Standard 150mm

CODE	PUNTO RANGE 150mm(6") 335m <sup>3</sup> /h (93 L/S) WALL, WINDOW, CEILING MOUNTED IPX4	BOX QTY
11401	150mm PUNTO FAN	3
11411	150mm PUNTO FAN c/w TIMER <b>TIMER</b>	3
11851	150mm PUNTO FAN c/w PULLCORD <b>PULLCORD</b>	3
11421	150mm PUNTO FAN AUTO	3
11431	150mm PUNTO FAN AUTO c/w TIMER <b>TIMER</b>	3



Wall mounted.

### 12V SELV Fans

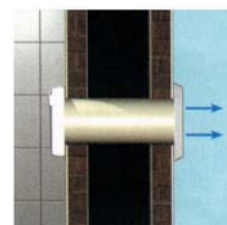
CODE	PUNTO SELV 12V RANGE 100mm(4") 90m <sup>3</sup> /h (25 L/S) WALL, WINDOW, CEILING MOUNTED IPX4	BOX QTY
11203	100mm PUNTO FAN 12V SELV <b>12 V</b>	4
11223	100mm PUNTO FAN AUTO 12V SELV <b>12 V</b>	4
22150	PUNTO 12V POWER SUPPLY	4
22151	PUNTO 12V POWER SUPPLY c/w TIMER <b>TIMER</b>	4



Ceiling mounted.

### PIR Fans

CODE	PUNTO PIR RANGE 100mm(4") (25 l/s)+ 150mm(6") (93 L/S) WALL, WINDOW, CEILING MOUNTED IPX4	BOX QTY
11681	100mm PUNTO FAN c/w PIR + TIMER <b>PIR</b> Passive Infrared	4
11881 ▲	150mm PUNTO FAN c/w PIR + TIMER <b>PIR</b> Passive Infrared	3



Through wall.

### Humidity Control Fans **T-HCS** Humidity Control System - Timer

CODE	PUNTO HUMIDITY CONTROL FANS	BOX QTY
11603	100mm PUNTO HCS & TIMER (90 m <sup>3</sup> /h) (25 l/s)	4
11613	100mm PUNTO HCS AUTO & TIMER (90 m <sup>3</sup> /h) (25 l/s)	4
11693	150 mm PUNTO HCS TIMER	3
11697	150mm PUNTO HCS AUTO & TIMER	



11601.

▲ : NON STOCK PRODUCTS SPECIAL ORDER REQUIRED