

Gordon Wall Mounting Oscillating Fans

The Gordon range of wall mounting oscillating fans with remote control. Ideal for Offices, Gyms, Factories or anywhere air movement is required.

TECHNICAL SPECIFICATIONS

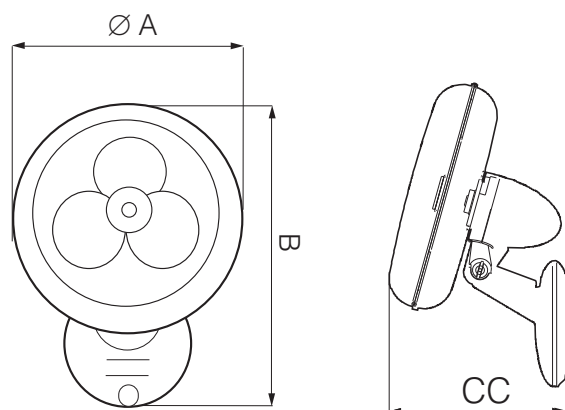
- 1 model size – 300mm/12"
- Single phase 3 Speed motor
- Shockproof thermoplastic resin
- Removable protective grille for easy cleaning
- Manual or Remote control
- Remote Control functions: on / off – speed – oscillation – breeze and timer
- IMQ Performance certified



Gordon Wall Mounting Oscillating Fans NEW PRODUCT

CODE	GORDON WALL MOUNTING OSCILLATING FANS C / W REMOTE CONTROL	BOX QTY
60643	12" / 300mm Wall Mounting Oscillating Fan c/w remote control	2

Dimensions (mm)



	Ø A	Ø B	Ø C	KG
30/12"	365	550	335	2.7